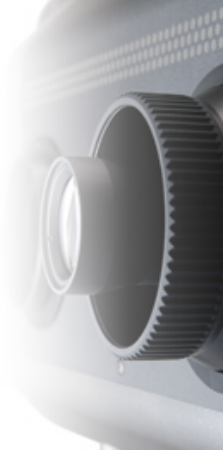




KONICA MINOLTA

**NEW**

# KONICA MINOLTA RANGE7 non-contact 3D digitizer conquers dark surfaces!

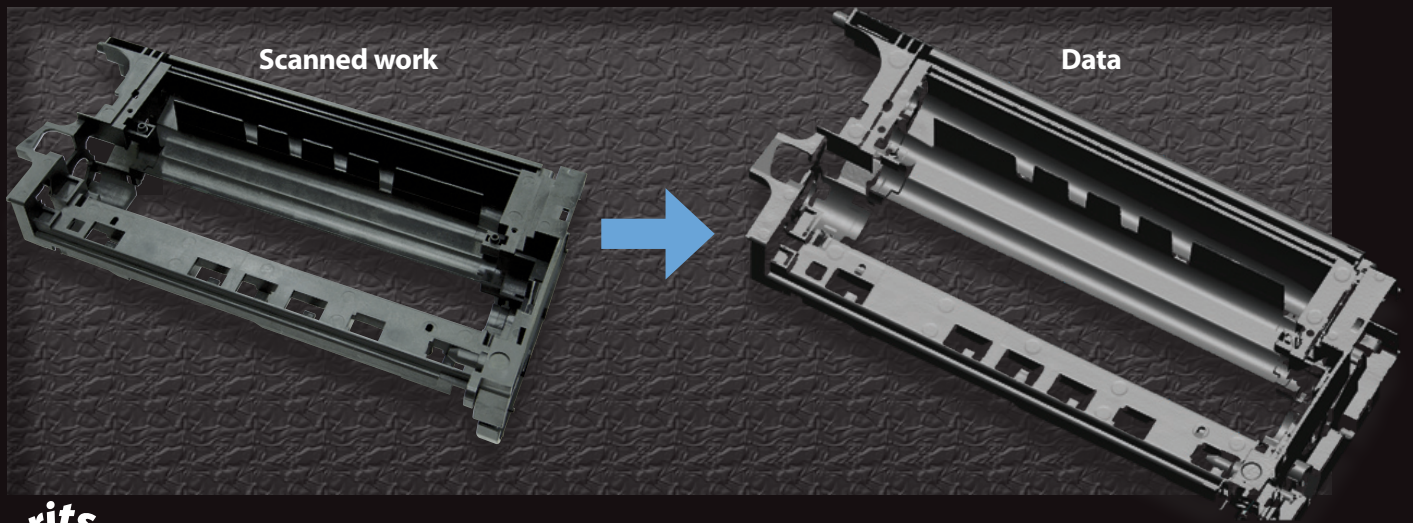


## Industry's top level

### Measures dark surfaces without spraying or a darkroom

The KONICA MINOLTA RANGE7 has been highly appreciated by mold and parts makers in design and production for scanning a broad range of works such as stampings, machined parts, molds, prototypes, castings, forgings and plastic parts since its introduction in March 2008. Utilizing our data-processing technology, the KONICA MINOLTA RANGE7 was able to measure even shiny surfaces without the spray generally required for ordinary non-contact digitizers. Now, the KONICA MINOLTA RANGE7 has evolved even further to conquer measurement of dark objects (down to reflectances of approx. 2.5%<sup>\*1</sup>) without spray or a darkroom.<sup>\*2</sup>

#### Dark surface scanning example



#### Merits



**Eliminates measurement errors caused by uneven spray layer thickness!**



**Eliminates need for preparation and disposal of sprayed objects!**



**Reduces environmental loads by eliminating spray and cleaning fluids!**



**Able to scan in a normal working environment (office environment<sup>\*3</sup>)!**



**Eliminates the need for a darkroom (supplemental equipment)!**

\*1. Reflectance at 660nm excluding specular reflectance. Based on KONICA MINOLTA standard measurement conditions.

\*2. Although performance has been greatly improved compare to our previous instruments, there is no guarantee that the KONICA MINOLTA RANGE7 can measure all dark surfaces or shiny surfaces without spraying. Whether or not treatment of the surface prior to measurement is necessary depends on actual use conditions, and test measurements are recommended.

\*3. 500 lx or less

An upgrade service to add this function to previously purchased KONICA MINOLTA RANGE7 scanners is also available. Contact your nearest service facility for more information.



The essentials of imaging



# RANGE7

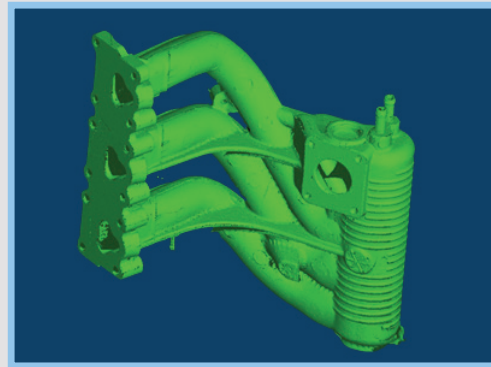
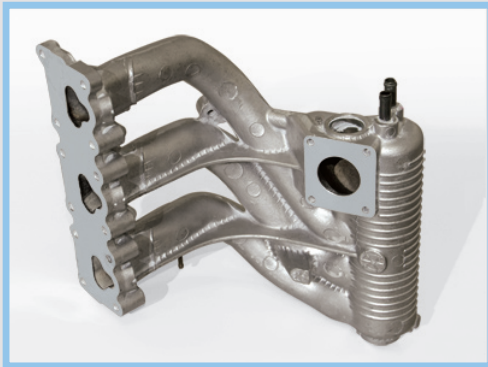
## NON-CONTACT 3D DIGITIZER

Includes 2 lenses (TELE, WIDE)  
as standard accessories.

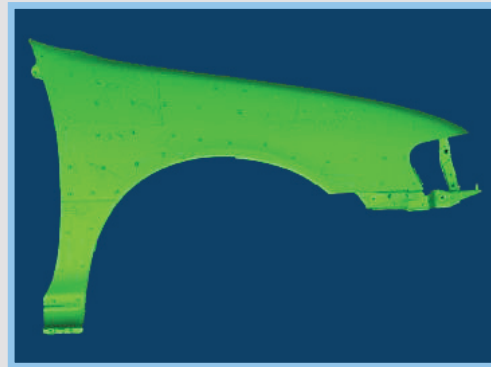
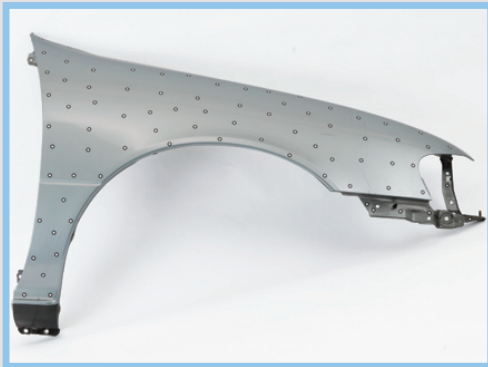
### Examples

**Scanning shiny surfaces without spray or darkroom is of course also still possible.**

Example 1



Example 2



➔ For product specifications, please refer to the KONICA MINOLTA RANGE7 product catalog.

#### SAFETY PRECAUTIONS



Read all safety and operating instructions before operating the KONICA MINOLTA RANGE7.

- Use only a power source of the specified rating. Improper connection may cause a fire or electric shock.
  - Do not stare into the laser beam.
- (MAX. 34mW 660nm, CLASS 2 (IEC) LASER PRODUCT)



Registration No. : YKA 0937154 Registration date : March 3, 1995  
Registration No. : JQA-E-80027 Registration date : March 12, 1997

**KONICA MINOLTA SENSING, INC.**  
Konica Minolta Sensing Americas, Inc.

Osaka, Japan  
New Jersey, U.S.A.

E-Mail : [3dsales@konicaminolta.jp](mailto:3dsales@konicaminolta.jp)  
Phone: 888-473-2656 (in USA), 201-236-4300 (outside USA)  
E-Mail : [vivid3d@se.konicaminolta.us](mailto:vivid3d@se.konicaminolta.us)

Web : <http://konicaminolta.com/instruments>  
Web : <http://se.konicaminolta.us/3d>

Fax: 201-785-2482

**Konica Minolta Sensing Europe B.V.**

**German Office**

München, Germany  
E-Mail : [info.germany@seu.konicaminolta.eu](mailto:info.germany@seu.konicaminolta.eu)

Phone: +49(0)89 4357 156 0

Fax: +49(0)89 4357 156 99

**French Office**

Roissy CDG, France  
E-Mail : [info.france@seu.konicaminolta.eu](mailto:info.france@seu.konicaminolta.eu)

Phone: +33(0)1 493-82519

Fax: +33(0)1 493-84771

**UK Office**

Milton Keynes, United Kingdom  
E-Mail : [info.uk@seu.konicaminolta.eu](mailto:info.uk@seu.konicaminolta.eu)

Web : <http://www.konicaminolta.eu>

Phone: +44(0)1908 540-622

Fax: +44(0)1908 540-629

**Italian Office**

Milan, Italy  
E-Mail : [info.italy@seu.konicaminolta.eu](mailto:info.italy@seu.konicaminolta.eu)

Web : <http://www.konicaminolta.eu>

Phone: +39 02 39011.425

Fax: +39 02 39011.223

**Polish Office**

Wroclaw, Poland  
E-Mail : [info.poland@seu.konicaminolta.eu](mailto:info.poland@seu.konicaminolta.eu)

Web : <http://www.konicaminolta.eu>

Phone: +48(0)71 33050-01

Fax: +48(0)71 734 52 10

**Konica Minolta (CHINA) Investment Ltd.**  
**Konica Minolta Sensing Singapore Pte Ltd.**

**SE Sales Division**

Shanghai, China  
Singapore

Phone: +86-021-5489 0202

Phone: +65 6563-5533

Fax: +86-021-5489 0005

Fax: +65 6560-9721

Addresses and telephone/fax numbers are subject to change without notice.  
For the latest contact information, please refer to the KONICA MINOLTA SENSING Worldwide Offices web page.

<http://www.konicaminolta.com/instruments/about/network>