



KONICA MINOLTA

ColorReader **CR-14** *Whiteness Index*

Check the whiteness of foods or raw materials. Measure solids, pastes, or powders.

Whether a food's color is good or bad can influence consumer purchases. Since color variations of white are especially obvious, it has become increasingly important to control color from raw materials through the manufacturing process. Furthermore, there is a growing need to quantify what effect storage during transportation has on the whiteness of a product.

- ***Fits in the Palm of your Hand***
- ***Battery Operated***
- ***Lightweight***
- ***Low Price***
- ***Simple to Use***



Giving Shape to Ideas

Color Reader Whiteness Index CR-14

Simple operation

Only the functions necessary for use are provided. Even first-time users operate it easily.

- 1 **Switch on the power.**
- 2 **Select the display mode.**
- 3 **Perform white calibration.**
- 4 **Place on sample and press button.**
- 5 **Measurement results are shown in the display.**

Compact size and light weight

The compact design fits in the palm of your hand. The CR-14 is also battery operated, so you can take it almost anywhere.



Functions for convenient measurements

- Protective Cap allows direct measurements of powders or pastes without the need for filling a cell.
- Serial Printer Output
- Either four AA-size batteries or AC adapter can be used
- Dust Cover (optional accessory) protects CR-14 against dust.



Display examples

CIE Whiteness index.

CIE
W 92.3 T-2.05

An international method for expressing whiteness. The W value indicates the degree of whiteness, and the T value indicates the tint.

Yxy values can also be displayed in CIE Mode.

Hunter Whiteness Index.

HUNTER
W 88.2

ASTM D1925 Yellowness Index and ASTM E313 Whiteness and Yellowness Indices can also be displayed.

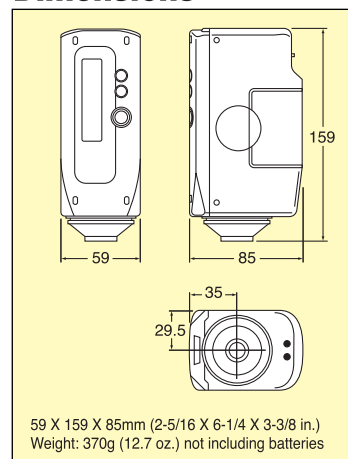
Specifications

illuminating/viewing geometry	8°: de (8° illumination angle/diffuse viewing: specular component excluded)
Measuring area	Approx. Ø8mm
Display modes	Whiteness Index: CIE, Hunter, ASTM E313 Yellowness Index: ASTM E313, ASTM D1925 Yxy (Displayable in CIE display mode)
Minimum interval between measurements	Approx. 1 sec.
Repeatability	Standard deviation of Whiteness Index: CIE: 0.5, Hunter: 0.1 (Measurement conditions: When measuring white calibration plate)
Power source	Four AA-size batteries or optional AC Adapter
Operating temperature/humidity range	Temperature: 0 to 40°C; relative humidity 85% or less (at 35°C) with no condensation
Storage temperature/humidity range	-20 to 55°C; relative humidity 85% or less (at 35°C) with no condensation
Standard accessories	White Calibration Plate CR-A74; Soft Case CR-A68; Protective Cap CR-A79; Wrist Strap CR-A73; AA-size batteries (4)
Optional accessories	AC Adapter; Printer Cable CR-A75; Dust Cover CR-A80

Specifications are subject to change without notice.

*Measurements of specimens which include fluorescent materials are not recommended.

Dimensions



KONICA MINOLTA OPTICS, INC.
Konica Minolta Sensing Americas, Inc
Konica Minolta Sensing Europe B.V.

Osaka, Japan
New Jersey, U.S.A.
European Headquarter /BENELUX

Phone : 888-473-2656 (in USA), 201-236-4300 (outside USA)

Nieuwegein, Netherlands
München, Germany
Roissy CDG, France
Warrington, United Kingdom
Milan, Italy
Dietikon, Switzerland
Västra Frölunda, Sweden
Wroclaw, Poland
Shanghai, China
Beijing, China
Guangdong, China
Chongqing, China
Shandong, China
Hubei, China
Singapore
Seoul, Korea
Bangkok, Thailand

Phone : +31(0)30 248-1193
Phone : +49(0)89 4357 156 0
Phone : +33(0)1 80 11 10 70
Phone : +44(0)1925 467300
Phone : +39 02 39011.1
Phone : +41(0)43 322-9800
Phone : +46(0)31 7099464
Phone : +48(0)71 33050-01
Phone : +86-(0)21-5489 0202
Phone : +86-(0)10-8522 1551
Phone : +86-(0)20-3826 4220
Phone : +86-(0)23-6773 4988
Phone : +86-(0)532-8079 1871
Phone : +86-(0)27-8544 9942
Phone : +65 6563-5533
Phone : +82(0)2-523-9726
Phone : +662 361-3730 to 7

Fax : 201-785-2482

Fax : +31(0)30 248-1280
Fax : +49(0)89 4357 156 99
Fax : +33(0)1 80 11 10 82
Fax : +44(0)1925 711143
Fax : +39 02 39011.223
Fax : +41(0)43 322-9809
Fax : +46(0)31 474945
Fax : +48(0)71 734 52 10
Fax : +86-(0)21-5489 0005
Fax : +86-(0)10-8522 1241
Fax : +86-(0)20-3826 4223
Fax : +86-(0)23-6773 4799
Fax : +86-(0)532-8079 1873
Fax : +86-(0)27-8544 9991
Fax : +65 6560-9721
Fax : +82(0)2-523-9729
Fax : +662 361-3771

Konica Minolta (CHINA) Investment Ltd.

SE Sales Division
Beijing Branch
Guangzhou Branch
Chongqing Office
Qingdao Office
Wuhan Office

Konica Minolta Sensing Singapore Pte Ltd.
KONICA MINOLTA OPTICS, INC.

Seoul Office
Thailand Representative Office

Addresses and telephone/fax numbers are subject to change without notice. For the latest contact information, please refer to the KONICA MINOLTA OPTICS Worldwide Offices web page :

©1996 KONICA MINOLTA OPTICS, INC.

<http://konicaminolta.com/instruments/about/network>

9242-4856-41 BCDIPK® Printed in Japan