



KONICA MINOLTA

# AeroDR

PORTABLE SOLUTION

## Konica Minolta portable upgrade kit

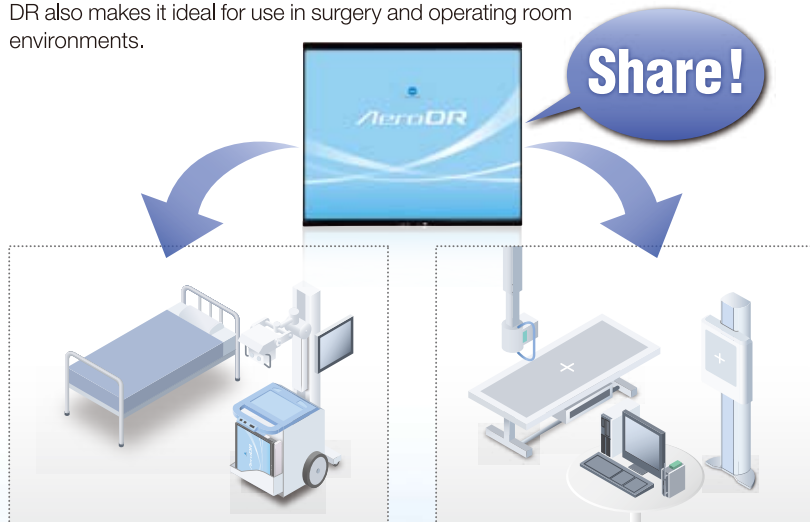
Aero DR wireless digital flat panel detector system allows for easy patient and image detector positioning while reducing patient discomfort and stress during portable procedures.



★ Regarding supported models, please contact your Konica Minolta sales representatives.

### Shard Panel Solution

The built in Aero DR roaming feature allows any Aero DR panel to be shared between portable use and also use in other general radiography rooms. The design of the Aero DR also makes it ideal for use in surgery and operating room environments.



### Control Station CS-7 Portable

Image preview is delivered in approximately 3 seconds and can be viewed prior to leaving the patient's side. The CS-7 portable controller can be mounted onto supported portable units using the supplied custom mounting hardware.



Giving Shape to Ideas

## AeroDR Portable UF Unit

Power requirements	Normal operations : DC24.6±0.3V 2.0A direct current During charging : AC 100/110/115/120/200/220/230/240 VAC ±10% , single phase, 50/60 Hz
Power consumption	Approx. 60 VA (at 100 to 240 VAC) during charging
External dimensions (W x D x H)	386×72×386 mm
Weight	5.0 kg (Including one AeroDR Portable Unit Battery)
Battery operating time	Approx. 11 hours

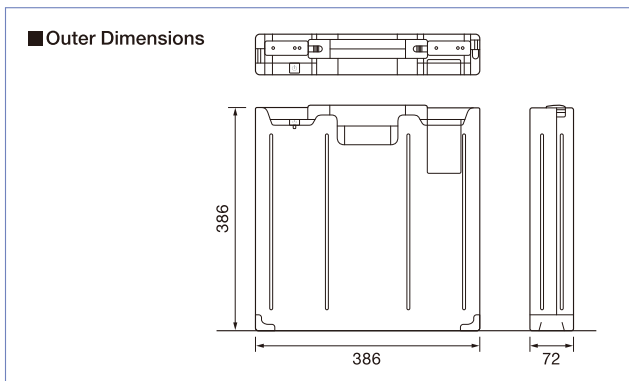
## AeroDR Portable RF Unit

Power requirements	Normal operations : DC24.6±0.3V 4.0A direct current During charging : AC 100/110/115/120/200/220/230/240 VAC ±10% , single phase, 50/60 Hz
Power consumption	Approx. 120VA (at 100 to 200 VAC)
External dimensions (W x D x H)	386 × 72 × 386 mm
Weight	6.3 kg (Including two AeroDR Portable Unit Battery)
Battery operating time	Approx. 11 hours

## CS-7 Portable hardware specifications

CPU	Intel Core i5-2520M vPro processor 2.50 GHz or higher
Memory	Standard 4GB
OS	Microsoft Windows 7 Professional (32 bit)
Hard disk	250 GB or more
Input/output port	Ethernet : 10 base-T/100base-TX/1000base-T USB : 3ports or more
Keyboard	PC built-in keyboard
Monitor	12.1 inches or above, 1280 × 800 or above
Sound	Audio function available
Power requirements	AC 100V-250V (Single phase 50/60 Hz)
Power consumption	Max. about 60W
Standard (for MDD)	Conforms to the standrds that the CE marking requires
Major accessories	Power cable
Recommended storage and usage environment conditions	During operation    Temperature : 5 to 35°C Humidity : 30 to 80 RH (Ensure no water condensation)  In storage            Temperature : -20 to 35°C Humidity : 30 to 80 RH (Ensure no water condensation)

※ These product specifications may change for improvement without notice.



★ Specifications are subject to change without prior notice.  
★ The construction of the hardware varies by country.



**KONICA MINOLTA, INC.**  
1 Sakura-machi, Hino-shi, Tokyo, 191-8511, Japan

Distributed by :