



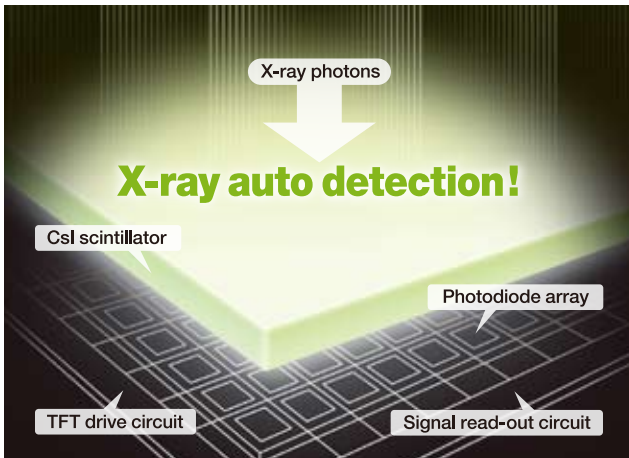
KONICA MINOLTA

AeroSYNC

AeroSync®, a new X-ray exposure synchronization technology, requires no cable connections to the x-ray generator. Image capture automatically begins when the AeroDR senses the X-ray exposure. This technology is available in Konica Minolta's wireless cassette DR system, AeroDR®.

The AeroSync technology

The AeroSync technology is equipped with an X-ray auto detect mode in which the panel automatically detects X-ray exposure. The AeroSync enabled panel automatically senses an X-ray exposure, automatically forms an image, and transitions to the X-ray storage process, communication with the X-ray generator is no longer necessary. This means that using AeroSync, even analog portable X-ray systems not fitted with digital radiography, or "DR" interfaces can be easily upgraded into digital systems.



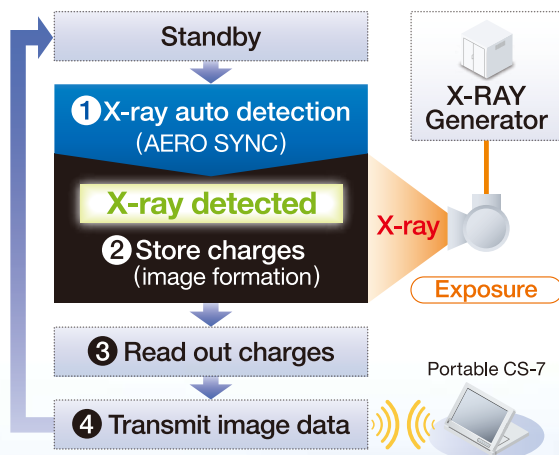
No Physical Generator Connections

Due to AeroDR's wireless communication and AeroSync technologies, analogue mobile X-ray unit can be updated to DR system easily.

● AeroDR Universal Solution



● Cassette DR



Giving Shape to Ideas

AeroDR Portable UF Unit

Power requirements	Normal operations : DC24.6±0.3V 2.0A direct current During charging : AC 100/110/115/120/200/220/230/240 VAC ±10%, single phase, 50/60 Hz
Power consumption	Approx. 60 VA (at 100 to 240 VAC) during charging
External dimensions (W × D × H)	386×72×386 mm
Weight	5.0 kg (Including one AeroDR Portable Unit Battery)
Battery operating time	Approx. 11 hours

※ The performance of battery is all performance after fully charged.

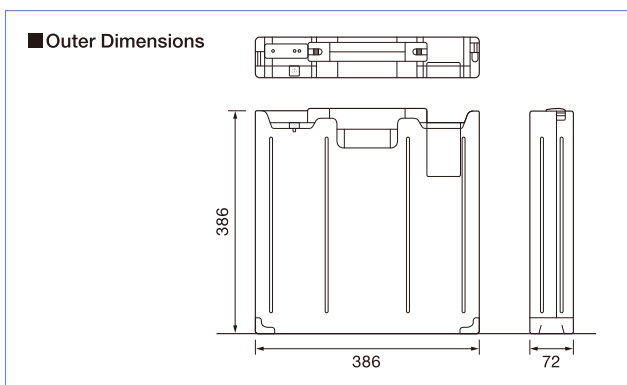
Battery charger for AeroDR Portable UF Unit / AeroDR Portable RF Unit

External dimensions (W × D × H)	140 × 62 × 35 mm (excluding cables)
Weight	300g
Safety Standards	UL1310, EN60355
INPUT	AC 100 to 240 V 1.8 (MAX.) 50/60 Hz
OUTPUT	DC 24.6V (MIN.) 2.0A

CS-7 Portable hardware specifications

CPU	Intel Core i5-2520M vPro processor 2.50 GHz or higher
Memory	Standard 4GB
OS	Microsoft Windows 7 Professional (32 bit)
Hard disk	250 GB or more
Input/output port	Ethernet : 10 base-T/100base-TX/1000base-T USB : 3ports or more
Keyboard	PC built-in keyboard
Monitor	12.1 inches or above, 1280 × 800 or above
Sound	Audio function available
Power requirements	AC 100V-250V (Single phase 50/60 Hz)
Power consumption	Max. about 60W
Standard (for MDD)	Conforms to the standards that the CE marking requires
Major accessories	Power cable
Recommended storage and usage environment conditions	During operation Temperature : 5 to 35°C Humidity : 30 to 80 RH (Ensure no water condensation) In storage Temperature : -20 to 35°C Humidity : 30 to 80 RH (Ensure no water condensation)

※ These product specifications may change for improvement without notice.



- The described performance may change depending on the environment and frequency of use. (This is not a guarantee of performance.)
- The performance of battery is all performance after fully charged.
- Specifications are subject to change without prior notice.



KONICA MINOLTA, INC.
1 Sakura-machi, Hino-shi, Tokyo, 191-8511, Japan

Distributed by :