



KONICA MINOLTA

MULTI GLOSS 268A
UNI GLOSS 60A
UNI GLOSS 60CT
UNI GLOSS 60S

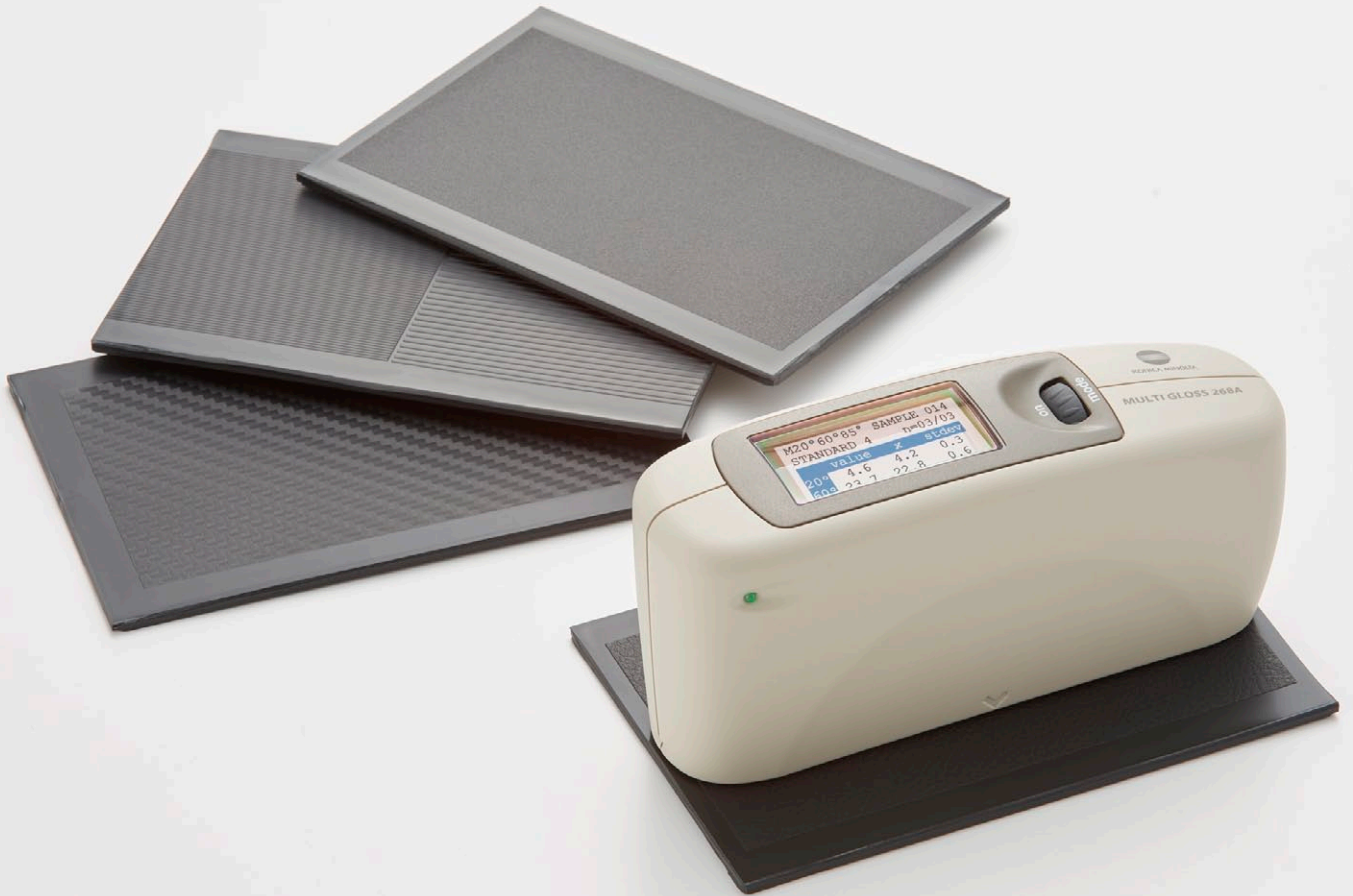


**New GM series gloss
meters offer even
higher versatility !**



■ **MULTI GLOSS 268A** (Measurement geometry: 20°, 60°, 85°; Successor to MULTI GLOSS 268Plus)

■ **UNIL GLOSS 60A** (Measurement geometry: 60°; Successor to UNI GLOSS 60Plus)



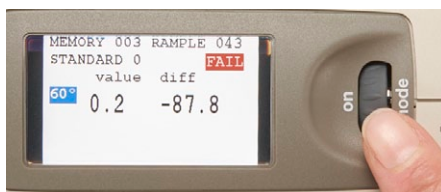
[Main features]

- Color LCD greatly improves usability and viewing of measurement results.
- "Gloss Data Software smart-chart" comes standard with the instrument, allowing you to transfer data from the instrument to a PC or to take online measurements.
- A single AA alkaline battery provides approximately 4,000 measurements.
- Display in ten languages.
- * Communication via USB only.

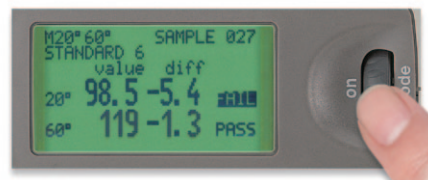
[Screen examples]

<pre> Main menu ├── Geometry ├── Memory ├── Difference ├── Calibration └── Setup </pre>	<pre> Geometry ├── 20° ├── 60° ├── 85° ├── 20°60° ✓ ├── 60°85° └── 20°60°85° </pre>	<pre> M20°60°85° SAMPLE 014 STANDARD 1 n=03/03 value x stdev 20° 4.6 4.2 0.3 60° 23.7 22.8 0.6 85° 28.5 27.8 0.5 </pre>	<pre> M20°60°85° SAMPLE 016 STANDARD 4 value diff 20° 4.1 -9.9 FAIL 60° 22.2 85° 27.7 </pre>	<pre> Autodiagnosis Please clean standard Confirm → [mode] Cancel → [operate] </pre>
---	---	---	--	---

● Brighter, easier-to-read display



New GM series model



Previous model

■ UNI GLOSS 60CT (Measurement geometry: 60°) High inter-instrument agreement model

With high measurement accuracy at low gloss levels, this model is suitable when multiple glossmeters are used in your company or between your company and suppliers or customers. It can be used for measuring the interior parts of cars, etc.



Repeatability : 0.1 GU from 0.0 to 19.9 GU
(0.2 GU for UNI GLOSS 60A)

Inter-instrument agreement : 0.2 GU from 0.0 to 19.9 GU
(0.5 GU for UNI GLOSS 60A)

■ UNI GLOSS 60S (Measurement geometry: 60°) Small aperture model

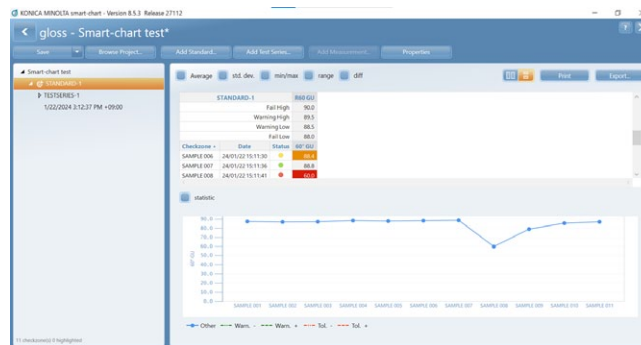
The small measurement area of 2 mm x 4 mm is suitable for measuring minute areas or curved surfaces.



Measurement area: 2 mm x 4 mm (9 mm x 15 mm for UNI GLOSS 60A)



■ Gloss Data Software smart-chart (smart-lab Gloss)



● Outline

- Allows transferring data measured off-line from the instrument to a PC or taking on-line measurements.
- Allows creating professional QC reports with graphs and/or tables.
- Standard specifications can be set to enable Pass, Warning, or Fail judgement display and inclusion in reports.
- Allows expressing the stability of a manufacturing process as a trend graph per project for management of laboratory work.

● Main features

- Data transfer from the instrument to a PC
- On-line measurement with the instrument connected to a PC
- Creation of reports
- Determination of Pass/Warning/Fail
- Display of trend graphs

● Specifications

<System requirements>

Operating system : Windows® 10 1607 or later 32bit,
Windows® 10 1607 or later 64bit
Windows® 11

Hardware : i5 2.5 GHz; i9 recommended, or equivalent
(x86 & x64 architecture only)

Memory : 8 GB RAM, 32 GB recommended

Free hard-disk capacity: 4 GB during installation

Monitor resolution : 1920 x 1080 pixel; 4K recommended

Interface : free USB-port

<Compatible instruments>

MULTI GLOSS 268A, UNI GLOSS 60A, UNI GLOSS 60CT,
UNI GLOSS 60S

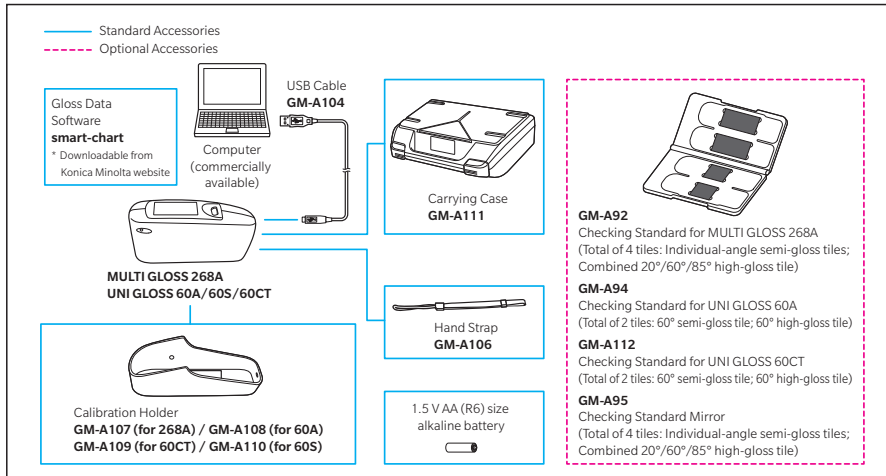
* Not compatible with MUTLI GLOSS 268Plus, UNI GLOSS 60Plus

* Customers who have purchased a compatible GM series model (MULTI GLOSS 268A, UNI GLOSS 60A, UNI GLOSS 60CT, or UNI GLOSS 60S) can download the software from our website free of charge.

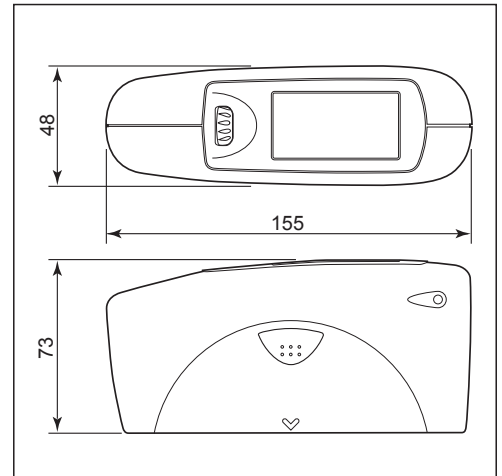
Main Specifications

Model	MULTI GLOSS 268A	UNI GLOSS 60A	UNI GLOSS 60S	UNI GLOSS 60CT
Measurement geometry	20°, 60°, 85°	60°	60°	60°
Size of measurement spot	20° : 10 × 10 mm	–	–	–
	60° : 9 × 15 mm	60° : 9 × 15 mm	60° : 2 × 4 mm	60° : 9 × 15 mm
	85° : 5 × 38 mm	–	–	–
Standard compliance	ISO 2813, ASTM D 523, ASTM D 2457, DIN 67530, ISO 7668 (excluding UNI GLOSS 60S), JIS Z 8741 (excluding UNI GLOSS 60S)			
Measurement range	20° : 0.0 to 2,000 GU	–	–	–
	60° : 0.0 to 1,000 GU	60° : 0.0 to 1,000 GU	60° : 0.0 to 1,000 GU	60° : 0.0 to 1,000 GU
	85° : 0.0 to 160 GU	–	–	–
Resolution	0.0 to 99.9 GU : 0.1 GU	0.0 to 99.9 GU : 0.1 GU		–
	100 to 2,000 GU : 1 GU	100 to 1,000 GU : 1 GU		–
Repeatability	0.0 to 99.9 GU : 0.2 GU	0.0 to 99.9 GU : 0.2 GU		0.0 to 19.9 GU : 0.1 GU
	100 to 2,000 GU : 0.2% of reading	100 to 1,000 GU : 0.2% of reading		20.0 to 99.9 GU : 0.2 GU
	–	–	–	100 to 1,000 GU : 0.2% of reading
Inter-instrument agreement	0.0 to 99.9 GU : 0.5 GU	0.0 to 99.9 GU : 0.5 GU		0.0 to 19.9 GU : 0.2 GU
	100 to 2,000 GU : 0.5% of reading	100 to 1,000 GU : 0.5% of reading		20.0 to 99.9 GU : 0.5 GU
	–	–	–	100 to 1,000 GU : 0.5% of reading
Memory	999 measurements with date and time			
Difference measurement	Memory for 50 standard			
Battery performance	Approx. 4,000 measurements (when using 1.5 V AA (R6) size alkaline battery)			
Measurement time	0.5 seconds			
Auto power off	10 to 99 seconds selectable			
Languages	English, Spanish, German, French, Italian, Russian, Polish, Portuguese, Turkish, Japanese			
Measurement mode	Normal mode (Sample mode, Statistics, Continuous, Basic mode); Difference mode			
Interface	USB 2.0			
Operation temperature/humidity range	15 to 40°C relative humidity max. 85% (at 35°C) with no condensation			
Storage temperature/humidity range	-10 to 60°C relative humidity max. 85% (at 35°C) with no condensation			
Power	1.5 V AA (R6) size alkaline battery, or via USB-port of PC			
Size (W x H x D)	155 × 73 × 48 mm			
Weight	Approx. 400 g			
Display	Color LCD			
Software	Gloss Data Software smart-chart (smart-lab Gloss)			

System Diagram



Dimensions (Units: mm)



- KONICA MINOLTA, the Konica Minolta logo and symbol mark, and "Giving Shape to Ideas" are registered trademark or trademarks of Konica Minolta, Inc.
- Displays shown are for illustration purpose only.
- The specifications and appearance shown herein are subject to change without notice.

SAFETY PRECAUTIONS

For correct use and for your safety, be sure to read the instruction manual before using the instrument.

● Be sure to use the specified batteries. Using improper batteries may cause a fire or electric shock.

ISO Certifications of KONICA MINOLTA, Inc., Sakai Site

JQA-QMA15888
Design, development, manufacture/
manufacturing management, calibration, and
service of measuring instruments

JQA-E-80027
Design, development,
manufacture, service and sales
of measuring instruments

KONICA MINOLTA, INC.	Osaka, Japan			
Konica Minolta Sensing Americas, Inc.	New Jersey, U.S.A.	PHONE: (888)473-2656 (in USA), +1(201)236-4300 (outside USA)	FAX: +1(201)785-2480	E-Mail: service.us@konicaminolta.com
Konica Minolta Sensing Europe B.V.	European HQ / BENELUX German Office French Office UK Office Italian Office Swiss Office Nordic Office Polish Office	Nieuwegein, Netherlands München, Germany Roissy CDG Cedex, France Warrington, United Kingdom Cinisello Balsamo, Italy Dietikon, Switzerland VÄSTRA FRÖLUNDA, Sweden Wrocław, Poland	PHONE: +31(0)30 248-1193 PHONE: +49(0)89 4357 156 0 PHONE: +33(0)1 80 11 10 70 PHONE: +44(0)1925 467300 PHONE: +39 02849488.00 PHONE: +41(0)43 322-9800 PHONE: +46(0)31 7099464 PHONE: +48(0)71 73452-11	E-Mail: info.benelux@seu.konicaminolta.eu E-Mail: info.germany@seu.konicaminolta.eu E-Mail: info.france@seu.konicaminolta.eu E-Mail: info.uk@seu.konicaminolta.eu E-Mail: info.italy@seu.konicaminolta.eu E-Mail: info.switzerland@seu.konicaminolta.eu E-Mail: info.nordic@seu.konicaminolta.eu E-Mail: info.poland@seu.konicaminolta.eu
Konica Minolta (CHINA) Investment Ltd.	SE Sales Division Beijing Office Guangzhou Office Chongqing Office Qingdao Office Wuhan Office Shenzhen Office Xi'an Office Xiamen Office	Shanghai, China Beijing, China Guangzhou, China Chongqing, China Shandong, China Hubei, China Shenzhen, China Xi'an, China Xiamen, China	PHONE: +86-(0)21-6057-1089 PHONE: +86-(0)10-8522 1551 PHONE: +86-(0)20-3826 4220 PHONE: +86-(0)23-6773 4988 PHONE: +86-(0)532-8079 1871 PHONE: +86-(0)27-6885 0586 PHONE: +86-(0)755-2868 7535	E-Mail: hcn_sensing@gcp.konicaminolta.com E-Mail: hcn_sensing@gcp.konicaminolta.com E-Mail: hcn_sensing@gcp.konicaminolta.com E-Mail: hcn_sensing@gcp.konicaminolta.com E-Mail: hcn_sensing@gcp.konicaminolta.com E-Mail: hcn_sensing@gcp.konicaminolta.com E-Mail: hcn_sensing@gcp.konicaminolta.com E-Mail: hcn_sensing@gcp.konicaminolta.com
Konica Minolta Sensing Singapore Pte. Ltd.	Singapore	PHONE: +65 6563-5533		E-Mail: se-service.sg@konicaminolta.com
Konica Minolta Sensing Korea Co., Ltd.	Korean HQ Cheonan Office	Goyang-si, Korea Cheonan-si, Korea	PHONE: +82(0)2-523-9726 PHONE: +82(0)41-556-9726	E-Mail: se.korea@konicaminolta.com E-Mail: se.korea@konicaminolta.com

Addresses and telephone/fax numbers and e-mail address are subject to change without notice.
For the latest contact information, please refer to KONICA MINOLTA Worldwide Offices web page.

<https://konicaminolta.com/instruments/network>